

# VERINE

## **ATINA 500 / VERTEX 700**

**MODEL NUMBERS: NABG50RN, NABG50RP/ NVBG70RN, NVBG70RP.**

**THIS IS NOT  
A `DO-IT-YOURSELF` PRODUCT**

**THE APPLIANCE MUST BE INSTALLED BY  
A CORGI REGISTERED PERSON**

## **INSTALLATION, SERVICING AND USERS INSTRUCTIONS**

**PLEASE LEAVE THESE INSTRUCTIONS WITH  
THE USER FOR FUTURE REFERENCE**



THESE PRODUCTS ARE APPROVED TO THE EUROPEAN GAS DIRECTIVE

## Important Notes – Please read before undertaking the installation

1. The chimney must be swept before the appliance is fitted.
2. The Installation Instructions must be adhered to without exception.

### LIST OF COMPONENTS

- a) Firebox complete with burner and controls.
- b) Installation, Servicing & Users Instructions
- c) Packet of burner fill; either black granules or limestone pebbles
- d) 1 Handset Control unit, 1 off 9 volt battery, 4 off Lithium AA batteries.
- e) Pack containing 2 rolls of sealing tape 2 grommets, and 6 self-tapping screws for joining the upper and lower fireboxes.
- f) Pack containing 3 black self-tapping screws for securing the burner infill grill.
- g) Fuel pack if ordered.
- h) Trim (as ordered – either XL trim for Atina & Vertex or Portrait for Atina only). The box containing the trim will include 4 off mounting screws and a pair of disposable gloves.
- i) Four Sided Trim & magnets (Optional).

### APPLIANCE DATA

	NABG50RN	NVBG70RN	NABG50RP	NVBG70RP
<b>GAS TYPE</b>	NATURAL GAS		PROPANE	
<b>SUPPLY PRESSURE</b>	20mb		37mb	
<b>HEAT INPUT</b>	6.2 kW Net	8.5kW Net	6.4 kW Net	8.1 kW Net
<b>INJECTOR SIZE</b>	Ø 1.9mm	Ø 2.3mm	Ø 1.31mm	Ø 1.46 mm
<b>GAS CONNECTION</b>	8 mm Compression			
<b>WEIGHT</b>	16kg	23kg	16kg	23kg

### GENERAL INSTALLATION REQUIREMENTS

#### Fitting the Appliance

- 1 The law demands that all gas appliances are installed by a qualified installer in accordance with the current **GAS SAFETY (INSTALLATION AND USE) REGULATIONS**. The installation must comply with these installation instructions and all relevant parts of Local and National Building Regulations or Building Standards (Scotland) (Consolidation) Regulations and those relevant recommendations of the following British Standards.

BS 5871: Parts 2 & 3, BS 8303, BS 5440: Parts 1 & 2, BS 1251, BS 6891

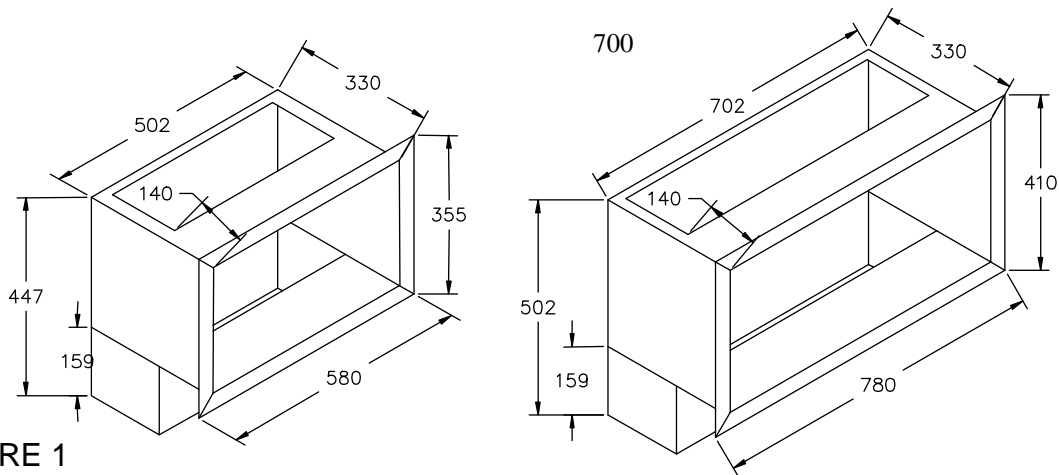
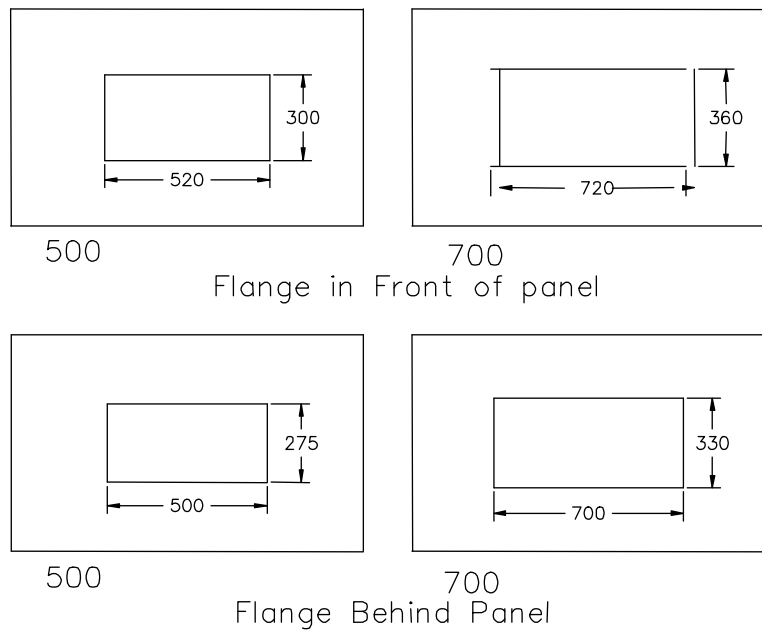


FIGURE 1

- 2 The 500 & 700 Fireboxes can be fitted into fireplaces which are large enough or can be altered to accept these boxes. Their dimensions are shown in Figure 1. If the fireplace has to be altered a lintel may be required to support the masonry over the opening.

Infill Panel Cutouts

FIGURE 2



3 **Decorative Infill Panels**

These appliances can be installed either with a decorative infill panel or directly against a wall finished with a non combustible material. If an infill panel is to be used the firebox flange can either be on the outside of the panel and finished with a decorative trim or the flange can be set on the inside of the infill panel where a trim will not be required. The size of the hole in the infill panel will vary depending on whether the flange is inside or outside. The hole sizes required are shown in Figure 2. A trim will be required if the appliance is to be installed directly against a wall. The depth of the fireplace opening must be checked against the firebox dimensions given in Figure 1 to make sure there is space available.

#### 4 **The Hearth** (Appliances in floor level fireplaces)

Where the appliance is fitted in a floor level builders opening, floor level fireplace recess or floor level flue box, the hearth shall:

- a) Extend through the whole base of the builders opening, fireplace recess or beneath the flue box.
- b) Project at least 300mm in front of any naked flame or incandescent part of the fire bed.
- c) Project at least 150mm beyond each side of any naked flame or incandescent part of the fire bed, or if there is a non-combustible wall within 150mm of any naked flame or incandescent part of the fire bed, up to that wall.
- d) Have a thickness of not less than 12mm and a minimum height of 50mm along its front and side edges.

#### **Hole-in-the-wall installations**

Where the appliance is installed in a hole-in-the-wall fireplace, a hearth as previously detailed for floor level fireplaces shall be fitted on the floor beneath the hole so as to protect combustible material from radiant heat.

- a) If a hearth is not to be used, so as to maintain a minimal and contemporary styling, the appliance must be installed so that every part of any naked flame or incandescent part of the fire bed is at least 225mm vertically above any carpet or floor covering.
- b) Where no hearth is to be fitted consideration should be given to fixing a tactile separator to protect young children, the elderly and the infirm. A tactile separator can be in the form of a fender, kerb, hearth, shelf or horizontal bar all made from non combustible material and fixed not less than 50mm & not more than 1000mm above the floor level. They should be positioned not less than 300mm in front of and 150mm beyond the edge of any naked flame or incandescent part of the fire bed.

#### 5 **The Chimney Flue**

Both Appliances The chimney should be of the open-flue type and have a minimum cross sectional dimension of not less than 175mm.

The flue must have a minimum effective height of 3 metres.

No restrictor plate or flue damper is permitted. Where a variable damper is fitted, this must be removed.

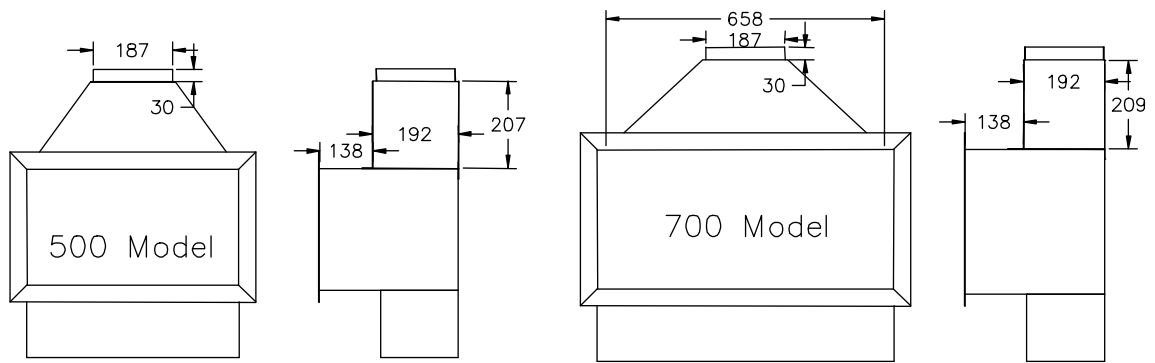
The chimney must be swept before the appliance is fitted.

500 Model This model may also be connected to 125mm diameter flue liner or twin wall gas flue using the optional gather and the 125mm adaptor.

#### 6 **Optional Gather**

An optional gather is available for both appliances to connect to a flue liner or a twin wall metal chimney. The dimensions of the gathers are given in Figure 3. Check the thickness of any masonry plus the decorative infill panel, if used, against the distance shown between the rear of the flange and the front of the gather. The gather should be installed before the firebox is finally placed in position and temporarily lodged in position. After the firebox is properly positioned the gather can be drawn down to the firebox by gripping the handles provided inside the gather and secured with five self tapping screws which pass through the top of the firebox into the gather. Please note that the gather and firebox are not structural items and the flue connected should be supported and not rest entirely on the gather.

FIGURE 3



**7 Ventilation.**

**500 Model**

Subject to a satisfactory spillage test, there is no requirement for purpose made ventilation with these models.

**700 Model**

The room containing the appliance must have a permanent air vent with an effective open area of at least 100 cm<sup>2</sup>. The vent must be either direct to outside air or to an adjacent room having a permanent vent of the same area.

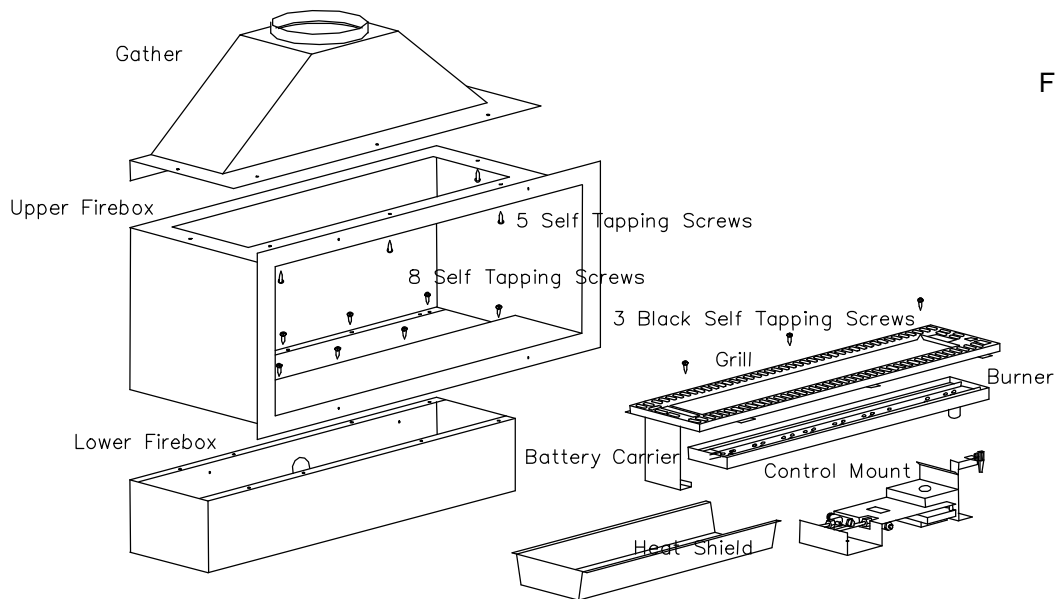


FIGURE 4

**Fitting the Firebox**

**NOTE**

As LPG (Propane Gas) is heavier than air any large voids below an LPG appliance must be back filled with a suitable material or low level venting must be installed. If low level venting is installed this must not be connected to the main flueway as this will cause dilution and may well result in lack of flue pull through the appliance.

- 1 Check that the fireplace is of the correct size or has been modified to accept the selected firebox. (See Figure 1).
- 2 It is recommended that, before proceeding further, a simple smoke test be performed to check the condition of the chimney. Light a smoke match or a twist of rolled paper, hold it within the fireplace opening and observe the behaviour of the smoke. If it is being drawn into the chimney proceed with the installation. If not, pre-heat the

chimney over the period of a few minutes and recheck. If there is any doubt about the soundness of the chimney a smoke pellet should be used after preheating the flue and if smoke still fails to clear, further investigation of the chimney is required and the appliance **MUST NOT** be fitted until any fault has been rectified.

- 3 Clear the recess of any loose material. Ensure that the base on which the lower firebox will stand is level and that the base of the recess and the hearth are horizontal and non-combustible. If the fire opening is to be elevated the base under the firebox will have to be raised to suit and the gather built into the fire opening may have to be re-formed at a higher level.
- 4 The gas supply should be routed from the meter or cylinder to a point convenient to the fireplace.
- 5 The firebox is made in two sections, the lower part which houses the gas control and the upper part which is the actual firebox and provides containment of the flame and products of combustion. See Figure 4.
- 6 Before starting to install the firebox remove all assembled items from the lower firebox. The heat shield is retained during transit by self-taper screws these need not be replaced. Temporarily secure the lower firebox to the upper firebox with four plain self-tapping screws. Grommetted gas entry holes are set into the rear and bottom of the lower firebox.
- 7 Slide the firebox into the opening. If a decorative infill panel is going to be used and is not yet in place make sure that the firebox flange clears the front face of the fire opening by the thickness of the infill panel. Ensure that the flue opening is unobstructed and gives a clear passage for the products of combustion to the flue. The firebox may, if required, be fixed in position by making holes in appropriate positions; the firebox should then be secured with screws and wall plugs to the hearth and/or rear wall of the fire opening. Do not fully tighten these screws at this time.
- 8 At this point the installation may be easier if the top part of the firebox is removed from the bottom to give better access to install the gas supply.
- 9 Temporarily place the control mount in the lower part of the firebox and run the gas supply through one of the grommeted holes at the rear or bottom of the lower firebox and connect it to the gas inlet fitting. **IMPORTANT; Ensure both grommets are fitted correctly in the gas input holes, failure to seal the lower box can allow hot product to be drawn down past sensitive electronics causing serious damage.** This fitting accepts 8mm diameter tubing. Prior to connecting the gas supply to the appliance it is important to blow out the supply pipe to clear any of the debris that may be present and which could cause a blockage in the control valve or pilot. Provision will have to be made to pass the pipe through the masonry of the fireplace. Care must be taken to sleeve the supply pipe when passing through the masonry. Exposed pipe within the fire opening should be wrapped, painted with bituminous paint or factory sheathed. Disconnect the gas supply and remove the control mount.
- 10 The space in front of the lower part of the firebox can be filled with masonry and made good or an infill panel fitted. Slide the upper part of the firebox into position and fix to the lower part with eight plain self tapping screws. Apply the sealing tape to the inside of the upper firebox flange, or seal the firebox to the wall or infill panel with a water-based mastic. Before tightening the fixing screws to the hearth and/or the rear of the fireplace, the whole box should be pushed firmly back to make a good seal to the wall or infill panel. **THE AREA WITHIN THE FIREPLACE AROUND THE BACK AND SIDES OF THE FIREBOX SHOULD BE BACKFILLED WITH MINERAL INSULATION MATERIAL UP TO THE LEVEL OF THE TOP OF THE FIREBOX.** This need not be done if the appliance is sealed into the flue via the optional gather.
- 11 Inspect the High Tension lead on the control mount, this may have moved during handling, ensure that it has not come into contact with the sensor or switch leads. Replace the control mount in position making sure that the holes locate over the studs

in the base of the firebox. Re-connect the gas supply. Inset four AA batteries into the battery holder and return it and its carrier to its position at the end of the burner. (Note; the tab at the front of the battery carrier top should be inserted into its slot and the whole carrier drawn forward to allow it to seat correctly). Ensure the power lead from the battery pack is plugged into the power socket at the end of the electronic control box making sure that any excess wire cannot come into contact with any hot surfaces. Place the burner heat shield in position. Place the burner in position ensuring that the mixing tube locates in its hole in the burner mount over the injector. Carefully place the infill grille in position with the locating tabs engaging with the slots in the front lower part of the firebox and fix in place at the back of the box with the three black self tapping screws provided. Since the infill grille locates and secures the main burner, the burner position may have to be adjusted slightly before the grille will lay flat. If a decorative outer trim is to be used it can be fixed into position on the frame of the firebox using the four magnets provided or as directed with the fixing instruction supplied with the trim.

## 12 **Gas Soundness Check**

Once the gas supply is connected, all joints must be checked for gas soundness. Note: It is permissible to light the fire **FOR SHORT PERIODS ONLY** when the burner has not been filled with the loose infill. It is easier to perform these checks if the burner is placed in position without re-placing the grille as the tube from the manometer can pass in front of the burner. Please note that the flames from the burner ports will not all be of equal length.

### **FILLING THE BURNER.**

Fill the burner tray level to the top with either the glass gravel, black ceramic granules or limestone pebbles provided.

### **PLACING OF DECORATIVE REFRACTORY SHAPES.**

- 1 Decorative items made from refractory material may be placed on top of the gravel, granules or pebbles to increase the decorative effect. These items must not reach more than 100mm (4 inches) above the gravel, etc. and must not be in more than two layers. If pebbles or coals are selected no more than 17 may be used on the Atina 500.
- 2 When a fuel pack is used no part of the pebble, coal or log must touch the access plate above the battery compartment, this would cause the battery pack to over heat and damage may occur.
- 3 If the objects on the fire bed become excessively covered in soot they should be removed from the fire or placed in another position.

### **FIREJACKS.**

Contents of Firejack Pack

- 3 Small Spheres
- 2 Large Spheres
- 7 Small Jacks
- 6 Medium Jacks
- 3 Large Jacks

### **Placing the Jacks and Spheres.**

Arrange the objects as desired on top of the granules. Ensure that they are placed so that air gaps are left between the pieces to allow air to the flames. The height of the arrangement must not exceed 100mm above the granules. The area around the pilot flame must be left clear to allow for cross lighting.

### **Soot Formation.**

Some soot will form on pieces placed in the flames but this is generally harmless unless an excessive amount is deposited. When the fire is cold the pieces can be removed from the fire and cleaned with a soft brush.

### **NOTE:**

Sometimes a 'popping' noise is produced by the burner at Maximum. This is caused by a flame repeatedly lighting and then going out. To correct this, carefully examine the fire and try to identify the flame responsible for the noise. Turn the fire out and with a screwdriver or similar move either a ceramic piece or some granules in the area of the flame a small amount. Turn the fire back on and listen for any noise. This process may have to be repeated several times to cure the problem. At low fire the noise may re-appear. This can be reduced by turning the gas control towards Maximum. This is not harmful to the fire or at all dangerous.

### **FITTING THE TRIM (IF ORDERED)**

**Note: When handling the trim it is important that your hands are clean and are free of oil / grease. We supply disposable gloves & we recommend that they are worn to avoid unsightly marks.**

Insert two of the screws provided into the top two hole in the firebox frame, these should be screwed in so that there is a gap between the screw head and firebox frame of approximately 1.5 - 2.0mm, take the remaining two screws and insert them into the bottom set of holes in the lower firebox frame, these should have a 1.5 – 2.0mm gap as above. Using the gloves, lift the frame in front of the fire, looking at the rear of the frame check that it is the correct way up, this is done by looking at the key hole slots, the smallest slot part of the key hole should be at the top, now lift into position, this is done by looking through the aperture of the frame and aligning it with the fire box, it is important that the frame is offered up so that it is central to the opening but approximately 25mm higher, push the frame back and then lower it gently so that the frame locates on the four mounting screws, if the frame does not locate onto the screws remove the frame and very slightly increase the gap between the screw head and fire frame, a large gap must be avoided as this will result in the frame being loose on the fire.

### **COMMISSIONING**

Before attempting to light the appliance the gas supply must be turned on by removing the cap from the isolator fitting and unscrewing the plug all the way out. (This has to be done before the burner is placed into position and the infill grille fixed down). Replace the cap making sure that the tab engages with the slot in the top of the plug. Tighten the cap securely. Inset four AA batteries into battery case located in the battery carrier at the left hand end of the main burner. Light the appliance in accordance with the instructions in the Users Guide.

### **Check for spillage**

- 1 Before briefing the customer on how to use the appliance, a spillage test must be carried out. The following procedure must be followed.
- 2 Close all doors and windows in the room or space containing the appliance. Light the appliance and turn to the maximum rate as detailed in the lighting section of the users instructions.
- 3 Light a smoke match and pass completely along and just inside the inner flange that is just forward of the opening to the chimney. A visual check should ascertain that all the smoke generated is drawn into the firebox and up the flue.
- 4 If there is evidence of spillage, the flue should be heated for a period of 5 to 10 minutes and the test repeated.
- 5 If there is still evidence of spillage the appliance should be turned off and the chimney and ventilation investigated. The appliance must not be left in an operational state until the faults have been identified and corrected.



### **Briefing the User**

- 1 Demonstrate the full operation of the appliance to the customer, referring them specifically to the glass gravel, black ceramic granules or limestone pebbles, any decorative ceramic shapes and the removal of soot as described in these instructions.
- 2 Inform the customer that all cleaning procedures should be carried out only when the appliance is cold.
- 3 Leave these instructions with the customer.
- 4 Advise the importance of having the appliance serviced and the chimney checked for clearance of combustion products on an annual basis.

## **USERS GUIDE**

### **Useful tips & recommendations**

Once your fire has been fitted, the following recommendations are made to ensure you enjoy the best results from your purchase;

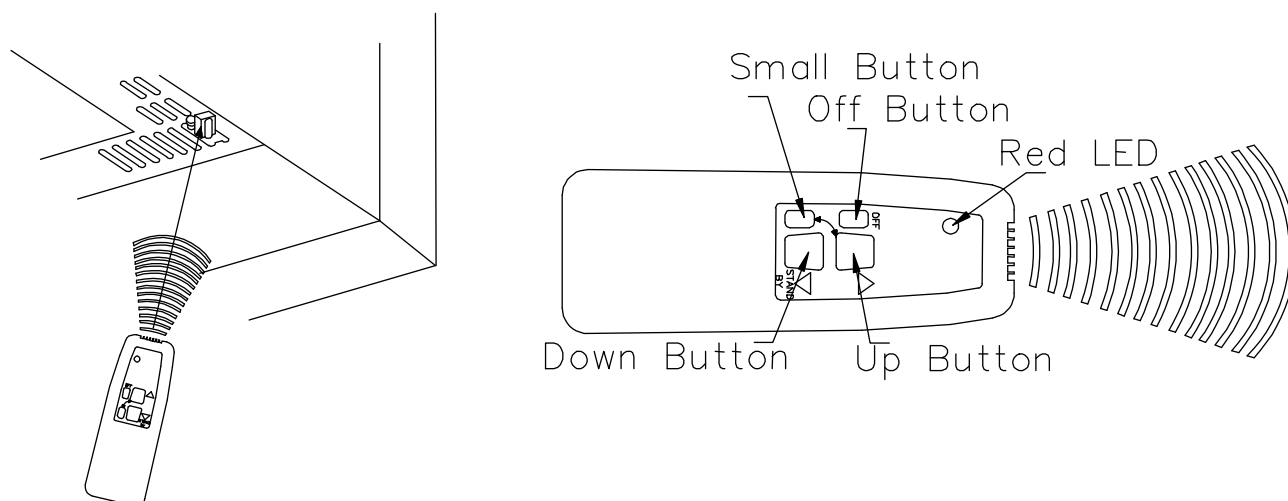
- 1 The installation of this appliance must have been carried out by a qualified installer and in accordance with the requirements of the **Gas Safety (Installation & Use) Regulations**
- 2 The chimney must be swept before the appliance is installed and checked annually to ensure continued clearance of combustion products and that there is no excessive build-up of soot.
- 3 As with any fire, certain components will become hot in use. Care should be exercised when approaching the appliance when it is hot. We also recommend that a fireguard, conforming to BS 6539 or BS 6778, be fitted for the protection of young children, the elderly or infirm.
- 4 When new any ceramic components may produce a slight odour, but this will completely vanish after a few hours of use.
- 5 Handle any ceramic components gently. They are fragile. A soft brush can be used to clean them of any excess soot. **UNDER NO CIRCUMSTANCES** should they be washed.
- 6 Never throw cigarette ends or other foreign matter onto the fire.
- 7 Never leave the house unattended, with the fire alight, for long periods.
- 8 Check periodically that any purpose-made ventilation is free from obstruction.
- 9 To obtain the best results from your fire we recommend that it be serviced annually.
- 10 These instructions are provided to assist you to operate the fire correctly and should be kept in a safe place.
- 11 This appliance is intended for decorative purposes.
- 12 This appliance is fitted with a flue blockage device that will shut off the appliance in the event of abnormal flue conditions. This device is NOT a substitute for an independently mounted carbon monoxide detector.

### **Operation of the fire**

- 1 It should be noted that your fire is fitted with a Flame Supervision Device, which cuts off the gas supply to your fire if, for any reason the pilot light is extinguished. It also monitors constantly the oxygen in the room. The pilot flame heats the thermocouple probe and allows gas to flow to the burners. If due to pilot failure, the thermocouple cools, no gas will flow to the main burner. If the fire is turned off or the flames go out, wait for **AT LEAST 3 MINUTES** before attempting to relight the fire.

## **Lighting the Appliance**

### **1 Fitting the Battery to the Handset**



**FIGURE 5**

Before using the appliance remove the access cover in the rear of the handset and insert a 9 volt PP3 size battery. Connect the battery by pushing the connector on to the terminals. Make sure the battery is connected correctly. Replace the access cover.

### **2 Using the Handset**

When using the handset make sure that it is pointed at the infrared signal receiver located just in front of the pilot burner at the right hand end of the main burner (the small black pad )See Figure 5. Unlike a TV control the fire does not react to a quick press on the button on the handset control. The buttons must be pressed and held until the control box under the burner acknowledges the signal by emitting a 'beep' sound (this can take two or three seconds). When the handset is emitting a signal the red LED at the top of the control will light.

### **2 Lighting the Fire**

**MAKE SURE THE ON / OFF SWITCH LOCATED NEAR THE PILOT BURNER HAS BEEN TURNED TO THE ON POSITION. (Indicated with the symbol 1 ).**

To light the fire press the SMALL BUTTON and the UP BUTTON buttons together on the handset until the fire control box answers with a 'beep'. The fire will go through its start - up procedure by lighting first the pilot burner and then the main burner on high fire. This procedure takes about 30 seconds. During this process the fire will emit a regular series of 'beeps'. If the fire does not light or there is no reaction when the two buttons are pressed, press the OFF button to 're-set' the control and try again.

### **4 Adjusting the Flame Height**

To lower the flame height press and hold the DOWN BUTTON until the flame is at the desired height. To turn the main burner off and just leave the pilot burner alight continue to press and hold the down button until the main burner goes out. To re-light the main burner press and hold the SMALL BUTTON and UP BUTTON together until the flame is at the desired height.

### **5 Turning the Fire OFF**

To turn the fire off but leave the pilot burner alight press the DOWN BUTTON until the main burner does out. To turn the fire completely off press the OFF button.

#### **Manual Off Facility**

If, whilst the fire is alight, the handset control is lost or its battery becomes discharged the fire can be turned off by switching the appliance ON/OFF switch (located just behind the signal receiver which is situated just in front of the pilot burner) to the OFF

position which is indicated by the symbol **O**. Caution should be exercised as this switch is situated quite close to the pilot flame. Switch back to the ON position to allow the appliance to be re-lit when required.

### **Cleaning the fire**

- 1 Ensure that the fire is cold before undertaking any cleaning. Remember that heat is retained for some time after the fire is switched off. In normal use your fire requires only minimal cleaning. Some soot may form on any ceramic pieces placed in the flames but this is generally harmless unless an excessive amount is deposited.
- 2 If large pieces of debris are found in the fire, sufficient to alter the appearance or operation of the appliance, the chimney / flue should be inspected and the appliance serviced before further use.
- 3 In any event, the chimney should be checked annually to ensure continued clearance of the combustion products and that there is no excessive build-up of soot.

### **SERVICE AND MAINTENANCE**

**The appliance should be serviced at least once a year by a CORGI registered engineer, and MUST include changing the oxy-pilot.**

- 1 Any refractory shapes should be taken off the fire and shaken to remove any debris but should only be cleaned if absolutely necessary. This should be done by gently brushing with a soft brush in a direction away from the person and any persons nearby. This operation should be performed outside facing downwind. A vacuum cleaner **must** not be used for this purpose.
- 2 Undo the three screws holding the infill grille in position a lift it out of the firebox. Lift the main burner out of the firebox. The gas supply should be turned off at the combination pressure test point and isolator fitting. Disconnect the control mount from the gas supply and lift it out of the lower firebox.
- 3 Empty the glass gravel from the burner on to a clean surface and thoroughly clean the burner ports.
- 4 The pilot burner fitted is an oxygen depletion pilot burner and is the primary safety device on the appliance. It must therefore be replaced annually. After changing the pilot burner operate the spark generator and observe that the spark is satisfactory.
- 5 Lay the control mount assembly on a flat surface and remove, clean and replace the main injector.
- 6 Any soot or debris should be removed from the fireplace and flue. The flue should be inspected for soundness and a smoke test performed as described in the fitting section to check the condition of the flue.
- 7 Replace the control mount in position making sure that the holes locate over the studs in the base of the firebox. Re-connect the gas supply. Place the burner in position ensuring that the mixing tube locates in its hole in the burner mount over the injector. Carefully place the infill grille in position with locating tabs engaging with the slots in the front lower part of the firebox and fix in place with the three screws removed in paragraph 2. Refill the burner with the glass gravel. Replace any refractory shapes that were in place on the burner.
- 8 **AFTER REFITTING THE APPLIANCE CHECK FOR GAS SOUNDNESS AT ALL GAS JOINTS AND TEST FOR SPILLAGE.**

### **Battery Replacement**

- 9 **HANDSET;** The handset is powered by one Alkaline 9volt PP3 size battery. If the fire fails to respond to the handset control check that the red LED on the handset lights whilst pressing the SMALL BUTTON and the UP BUTTON buttons at the same time. If the LED does not light, the battery in the handset requires renewing. To change the battery in the handset, remove the battery cover on the underside of the handset,

unclip the battery from its connector and put a new one put in its place. Replace the cover.

- 10 BURNER: (see figure 4) Wait until the fire is cold before attempting to change these batteries which are in a carrier at the left hand side of the burner. Grip the separate piece of grille at the left hand side of the burner by inserting two fingers into the holes provided, tip forwards and lift the battery carrier out of the firebox. Remove the battery case from the carrier. Open the case by unscrewing the locking screw and remove the used batteries. Insert four new Lithium AA batteries observing the correct polarity. Close the case and replace the screw. Place the battery case in the battery carrier and replace the whole assembly back into the appliance.

**Note;** Replacement AA Lithium batteries are available from Verine Ltd. Alkaline batteries are not recommended for this application.

### **Spare Parts List**

In the event of a part requiring replacement the parts list is as follows

<b>Part Description</b>	<b>Part Number</b>
Electronic Control Box and Remote hand control	G6R - P4S1A5
GV60 Motorised valve	GV60M1- C5D1H1L
Oxypilot (NG models)	OP9037
Oxypilot (LPG models)	OP9223
Burner Control Battery	Energiser 1.5 volt AA Size Lithium L91

## Installation & Service Record

Please ensure that installer completes the installation record below

<p><b><u>INSTALLATION RECORD</u></b></p> <p>Appliance Supplied by: .....</p> <p>Installation Date: .....Serial No.: .....</p> <p>Installed By: .....CORGI No.: .....</p> <p>Signed by Installer: .....</p>
--

<p style="text-align: center;"><b><u>RECORD OF 1<sup>st</sup> SERVICE</u></b></p> <p>Serviced by: ..... CORGI No.:.....</p> <p>Service Date: ..... Signed: .....</p> <p>Comments: .....</p> <p>.....</p> <p>.....</p>	<p style="text-align: center;"><b><u>RECORD OF 2<sup>nd</sup> SERVICE</u></b></p> <p>Serviced by: ..... CORGI No.:.....</p> <p>Service Date: ..... Signed: .....</p> <p>Comments: .....</p> <p>.....</p> <p>.....</p>
<p style="text-align: center;"><b><u>RECORD OF 3<sup>rd</sup> SERVICE</u></b></p> <p>Serviced by: ..... CORGI No.:.....</p> <p>Service Date: ..... Signed: .....</p> <p>Comments: .....</p> <p>.....</p> <p>.....</p>	<p style="text-align: center;"><b><u>RECORD OF 4<sup>th</sup> SERVICE</u></b></p> <p>Serviced by: ..... CORGI No.:.....</p> <p>Service Date: ..... Signed: .....</p> <p>Comments: .....</p> <p>.....</p> <p>.....</p>
<p style="text-align: center;"><b><u>RECORD OF 5<sup>th</sup> SERVICE</u></b></p> <p>Serviced by: ..... CORGI No.:.....</p> <p>Service Date: ..... Signed: .....</p> <p>Comments: .....</p> <p>.....</p> <p>.....</p>	<p style="text-align: center;"><b><u>RECORD OF 6<sup>th</sup> SERVICE</u></b></p> <p>Serviced by: ..... CORGI No.:.....</p> <p>Service Date: ..... Signed: .....</p> <p>Comments: .....</p> <p>.....</p> <p>.....</p>
<p style="text-align: center;"><b><u>RECORD OF 7<sup>th</sup> SERVICE</u></b></p> <p>Serviced by: ..... CORGI No.:.....</p> <p>Service Date: ..... Signed: .....</p> <p>Comments: .....</p> <p>.....</p> <p>.....</p>	<p style="text-align: center;"><b><u>RECORD OF 8<sup>th</sup> SERVICE</u></b></p> <p>Serviced by: ..... CORGI No.:.....</p> <p>Service Date: ..... Signed: .....</p> <p>Comments: .....</p> <p>.....</p> <p>.....</p>

**B-111620**  
**Issue 2**

**BFM Europe Limited**  
**Trentham Lakes**  
**Stoke on Trent, Staffordshire ST4 4TJ**  
**Tel: (01782) 339000 Fax: (01782) 339009**  
**Email: [info@bfm-europe.com](mailto:info@bfm-europe.com)**  
**[www.bfm-europe.com](http://www.bfm-europe.com)**

THIS BOOKLET CONTAINS 15 PAGES.

ATINA/VERTEX/1007/II/UI